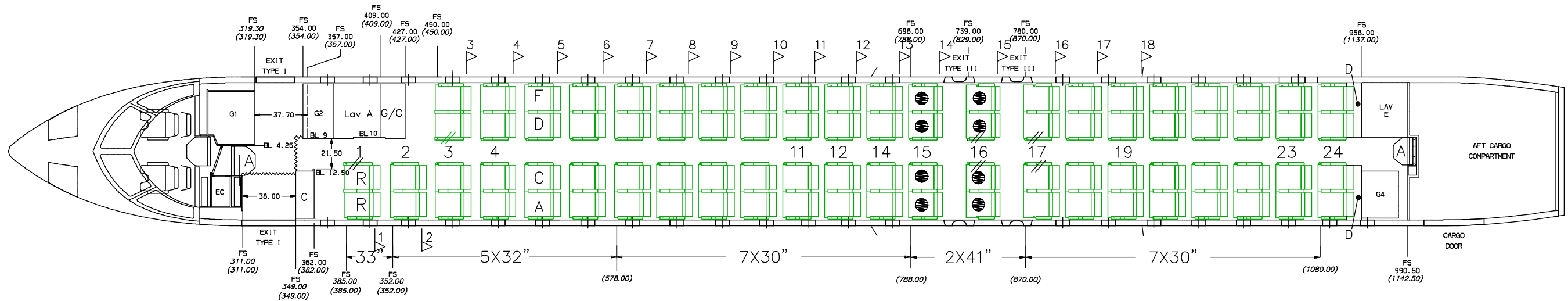
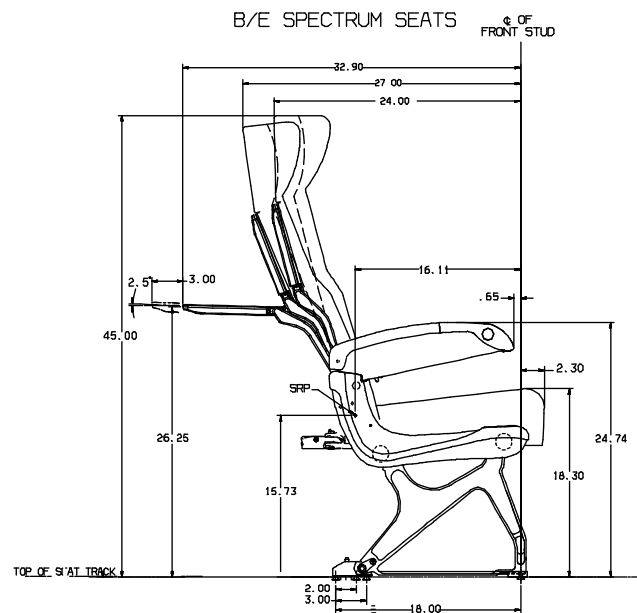
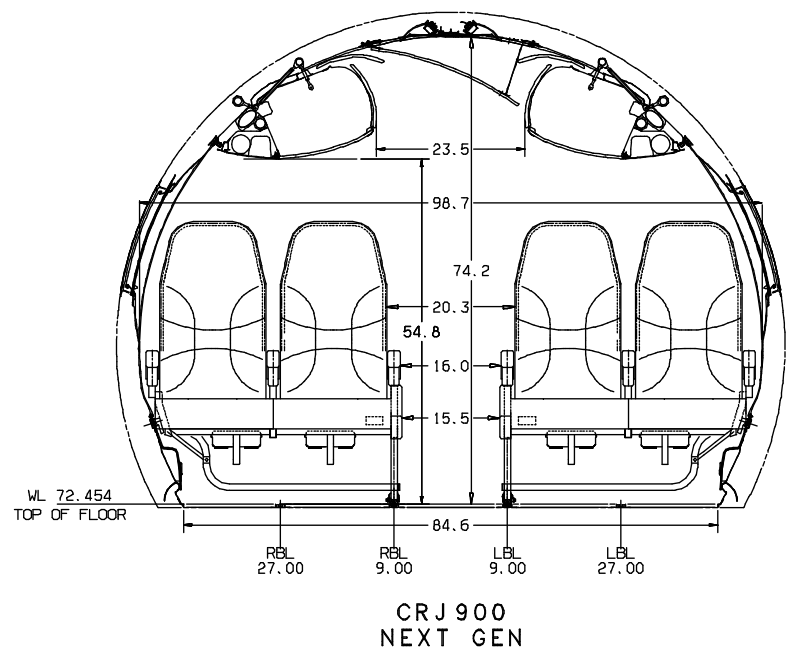


REVISIONS		
REV	DESCRIPTION	DATE
00	Initial Revision	06.02.2020



* Location FS = Frame Station
 Location in brackets (xxx) = Balance Arm

- G Galley
- A Attendant Seat
- C Coatroom
- D Doghouse
- ▷ Subversion Position
- R Restricted recline = 2"
- No Recline
- EC Entrance Compartment
- ⊥ Non-movable Aisle Armrest
- ⊙ FWD Seat Stud in Locked Position
- xxx.00



Capacity — 88 Passenger Seats

AviaDeCo AviaDeCo GmbH Design Organisation DOA EASA.21J.660 Muehltaler Strasse 44, D-12555 Berlin, Germany www.aviadeco.com		APPLICABILITY: CRJ-900 of RegionalJet MSN 15206, 15211, 15237, 15242, 15250
TITLE: LOPA - Y88	DRAWN: S. Herrmann CHECKED: M. Schulz	SCALE: None DIMENSIONS: cm SHEET: 1 of 1
DWG NO.: ED-03819-1		Form ADC-DO-010 Rev. 00
<small>THIS DRAWING IS PROPRIETARY OF AVIADeco GMBH AND SHALL NOT BE REPRODUCED OR DISCLOSED WITHOUT THE OWNERS WRITTEN PERMISSION.</small>		