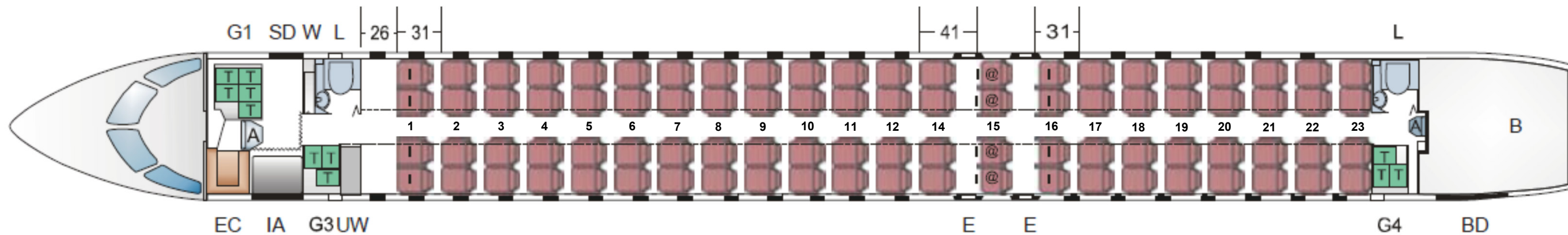


REVISIONS		
REV	DESCRIPTION	DATE
00	Initial Revision	06.02.2020

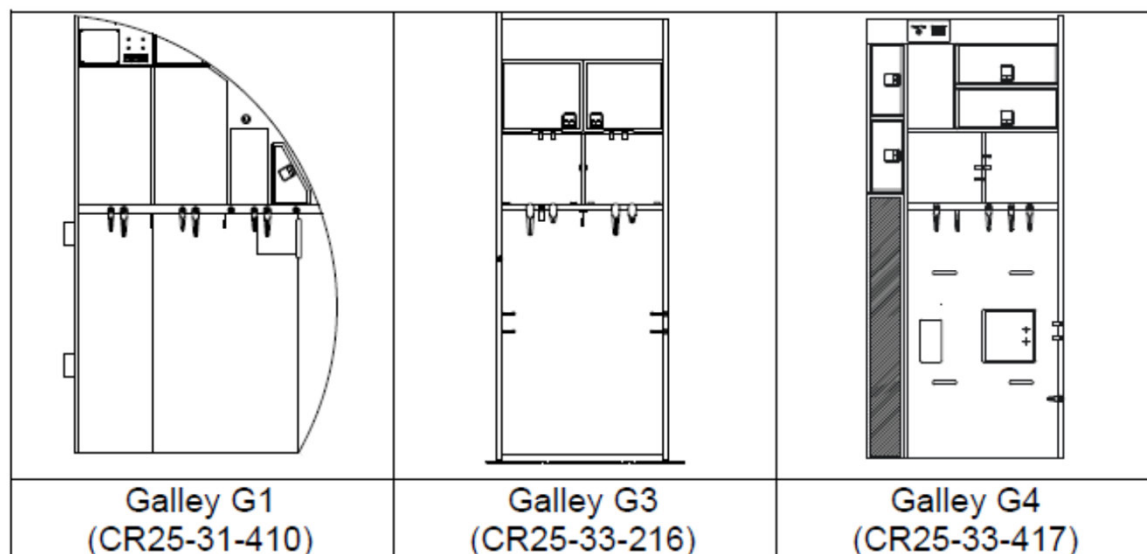
CRJ900 LOPA – 88 Passengers

88 Economy @ 31" Seat Pitch (41" @ Overwing Exits)



Legend: EC = Entrance Compartment; A = Attendant; G = Galley; L = Lavatory; UW = Underbin Wardrobe; US = Underbin Storage; D = Doghouse; @ = No Recline Available; T = Half-Size Trolley, S = Storage; W = Wardrobe; # = Inflatable Restraint System; I = In-Arm Table, E = Overwing Exit, B = Baggage Compartment, BD = Baggage Door, IA = Airstair Door, SD = Service Door.

Galley Layout(s):



AviaDeCo GmbH Design Organisation DOA EASA.21J.660 Muehtaler Strasse 44, D-12555 Berlin, Germany www.aviadeco.com		APPLICABILITY: CRJ-900 of RegionalJet MSN 15261, 15262, 15276, 15277
TITLE: LOPA – Y88	DRAWN: S. Herrmann <i>S. Herrmann</i> CHECKED: M. Schulz <i>M. Schulz</i>	SCALE: None DIMENSIONS: cm SHEET: 1 of 1
DWG NO.: ED-03819-2		THIS DRAWING IS PROPRIETARY OF AVIADeco GMBH AND SHALL NOT BE REPRODUCED OR DISCLOSED WITHOUT THE OWNERS WRITTEN PERMISSION. Form ADC-DO-010 Rev. 00